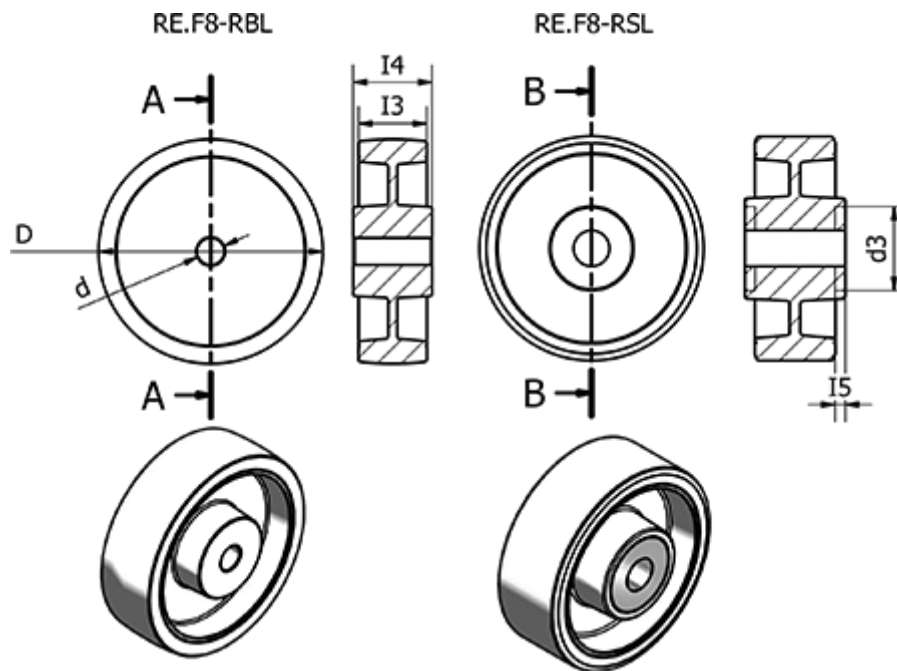


Article number: 2314450501

Description: E+G polyamide wheel
RE.F8-65-RBL - loose wheel in polyamid

Measures



Code	= -	Rolling resistance (N)	= 900
d	= 450501	Static load	= 1250
d3	= 65	Type	= RE.F8-65-RBL
Dynamic carrying capacity (N)	= 1200	Wight (g)	= 60
I3	= 30		
I4	= 34		
I5	=		